



Global Express/XRS and Global 5000

The UTC Aerospace Systems offers a common Wheel & Brake design for all three Bombardier Global Aircraft models: Express/XRS and 5000.

Utilizing our patented EDL[®] carbon disk technology along with years of service-proven performance, UTC Aerospace Systems has done it again with an exceptional landing-per-overhaul ratio. Many customers today are experiencing twice the brake life per overhaul as compared to the airframe manufacturer specifications. Couple the long brake life

with our service, which is unsurpassed in the industry, and you have a winning combination. UTC Aerospace Systems Wheel & Brake products and services are designed to reduce maintenance costs and increase reliability while maximizing accessibility of your Business Jet. Why trust your Wheels & Brakes to anyone else?



UTC Aerospace Systems

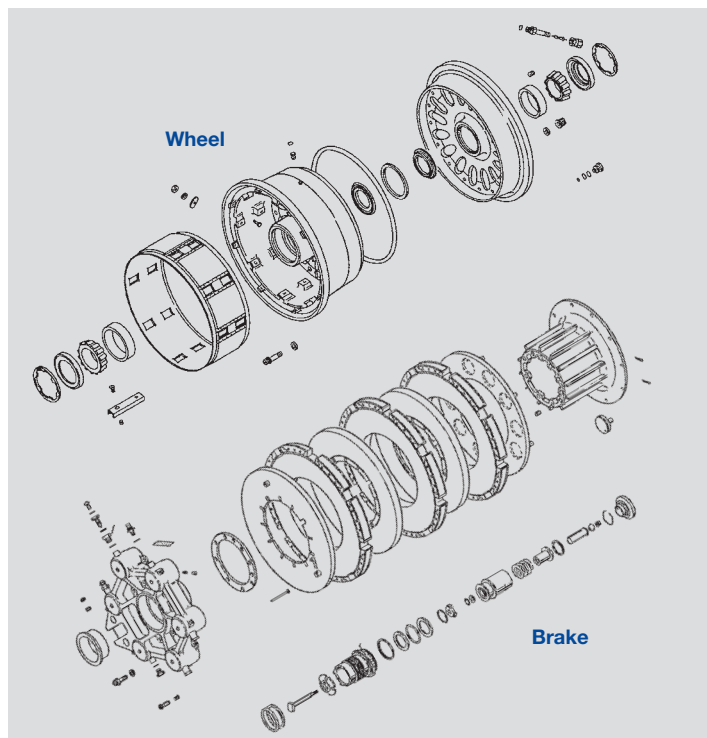
Global Express/XRS and Global 5000

Brake Specifications

Part Number	2-1608-2
Type	Carbon
# of Rotors	3
Adjuster	Dry Internal System

Wheel Specifications

Part Number	3-1599
Tire Type	Bias
Tire Size	H38x12.00-19 20PLY
Wheel Type	Spoked Web, Bolted
Brake Drive System	Insert Protected Integral Drive Bosses



Benefits & Features

Overhaul program offered through UTC Aerospace Systems Service Centers resulting in quicker turn times, one-stop shopping and access to specialized engineering resources dedicated exclusively to Business Aircraft wheel and brake overhauls.

Patented lightweight EDL[®] carbon heat sink material enhances overall braking performance and reduces cost of operation.

Wheel & Brake design meets or exceeds Bombardier performance specifications.

Wheel bearing design incorporates low maintenance seal technology.

Spoked wheel design for maximum convective cooling of brake.

Common Wheel & Brake equipment on all three Bombardier Global Aircraft models: Express/XRS and 5000.

For additional information:

UTC Aerospace Systems
Wheels & Brakes
101 Waco Street
Troy, OH 45373
U.S.A.
Tel: +1 937 339 3811
www.utcaerospacesystems.com

10/2012
Printed in the USA
The UTC Aerospace Systems name, logotype and symbol are trademarks of UTC Technologies.