

# LED Wash Lights

1005-X1X-001



Where ingenuity takes off™

# State-of-the-art LED lighting solution

UTC Aerospace Systems presents its latest LED wash light system which provides general illumination for cabins, galleys and lavatories of commercial single aisle and wide-body airplanes.

Benefitting from the UTC Aerospace Systems culture of continuous improvement, this latest product incorporates advanced LED control techniques that build upon the knowledge and in-service experience gained from previous LED lighting programs.

Advantages include a lightweight, but robust aluminum and plastic housing incorporating a sophisticated optical design.



UTC Aerospace Systems wash light system 1005-01X-001 provides a homogeneous illumination that can be tuned from warm to cool white. This full LED ceiling and side wall lighting for cabins, galleys and lavatories will be standard on board the Bombardier CSeries\* aircraft.

## Uniform white or full color illumination

Customers may choose between the white only and the full color variants. Both types of wash lights are identical in form, fit and their interface to the cabin management system.

The white only units 1005-01X-001 use high brightness white LEDs that can be tuned through the addition of low intensity red, green and blue LEDs to provide any shade of white from warm to cool white. LED selection and calibration processes ensure complete homogeneous light both from within the unit and unit to unit.

The full color wash lights 1005-21X-001 contain white, red, green and blue LEDs for endless color options. The addition of a fifth primary amber LED supports a better color rendering and color depth of warm tones reminiscent of sunrise and sunset.

## Full data control by cabin management system

These fully dimmable wash lights operate on 28 V DC. The control interface is a modular design that can accommodate either discrete or data commands from industry standard protocols typically used for controlling cabin lighting.

Each unit is configurable to have its own address thereby providing operators complete flexibility when defining cabin lighting scenes.

## Significant weight savings and overall cost reduction

In comparison to fluorescent lighting, these units provide operators with the benefits now firmly associated with LED technology namely reduced power consumption, increased reliability, providing reduced maintenance costs over the life of the aircraft.

The housing design accommodates a quick release mounting system for easy installation and unit replacement.

# LED Wash Lights | 1005-X1X-001

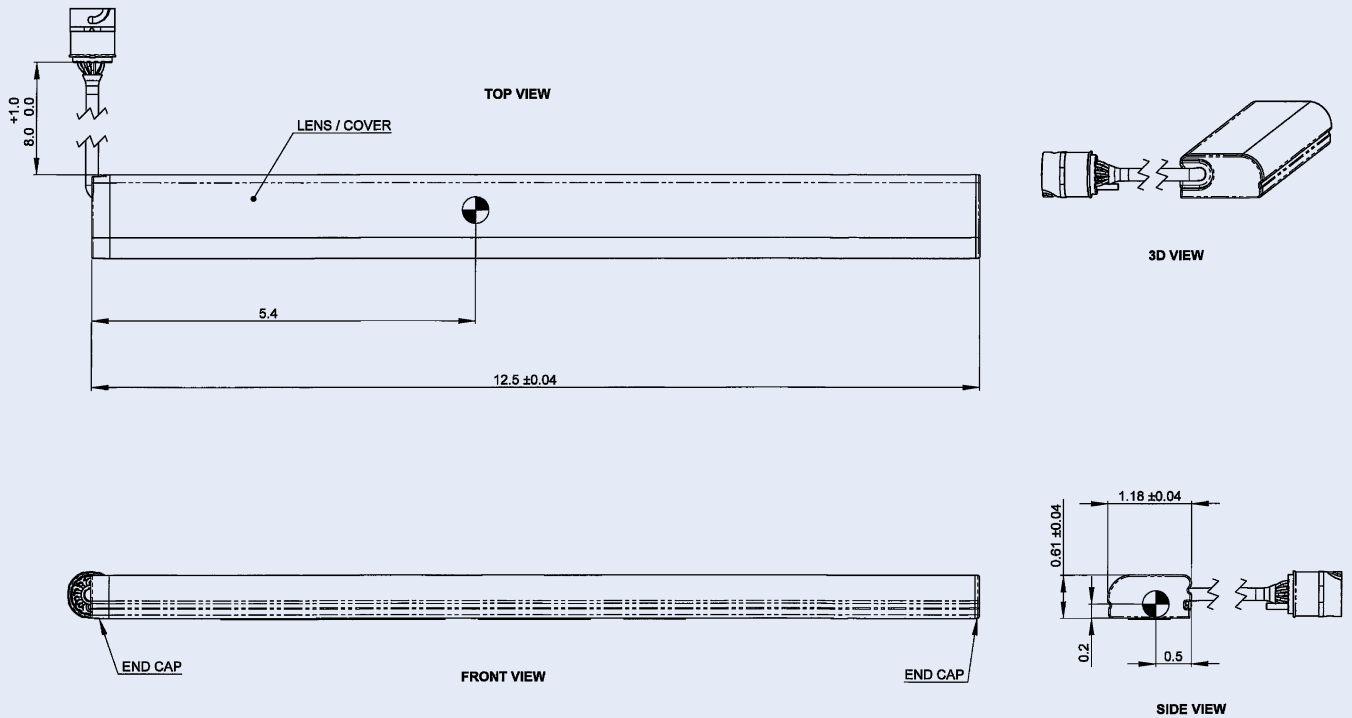


1005-018-001

## Technical Data:

- Operating Voltage: 28 V DC
- Further data: see variant table

1005-018-001



## Variant Table

Part-Number	Light Color	Length	Operating Current	Power Consumption	Weight
1005-010-001	White	49.75"/1,263.65 mm	785 mA	22 W max.	1.14 lb/518 g
1005-012-001	White	20.25"/514.35 mm	360 mA	10 W max.	0.52 lb/236 g
1005-014-001	White	36.25"/920.75 mm	607 mA	17 W max.	0.84 lb/382 g
1005-016-001	White	33.5"/850.9 mm	570 mA	16 W max.	0.79 lb/358 g
1005-017-001	White	28.5"/723.9 mm	500 mA	13 W max.	0.69 lb/312 g
1005-018-001	White	12.5"/317.5 mm	250 mA	7 W max.	0.37 lb/167 g
1005-210-001	Full Color	49.75"/1,263.65 mm	785 mA	22 W max.	1.14 lb/518 g
1005-212-001	Full Color	20.25"/514.35 mm	360 mA	10 W max.	0.52 lb/236 g
1005-214-001	Full Color	36.25"/920.75 mm	607 mA	17 W max.	0.84 lb/382 g
1005-216-001	Full Color	33.5"/850.9 mm	570 mA	16 W max.	0.79 lb/358 g
1005-217-001	Full Color	28.5"/723.9 mm	500 mA	13 W max.	0.69 lb/312 g
1005-218-001	Full Color	12.5"/317.5 mm	250 mA	7 W max.	0.37 lb/167 g

# Perfect fit



1005-010-048 (ceiling)

## Mounting brackets for easy installation

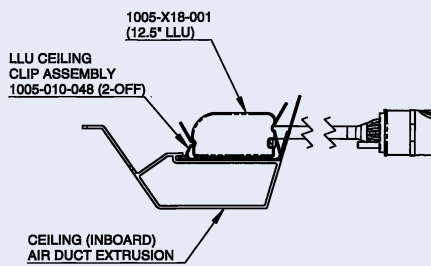
The wash light units are mounted above the luggage bins to illuminate the ceiling and below the bins for the side wall illumination.

Specially designed mounting brackets for ceiling and side wall installation will hold the wash lights firmly in place, once they are clipped in.

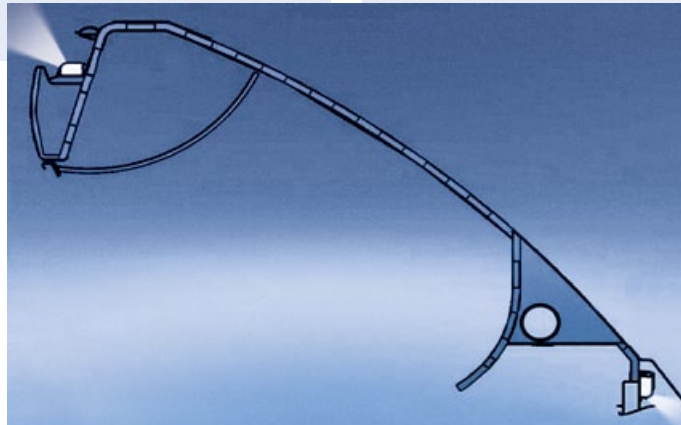
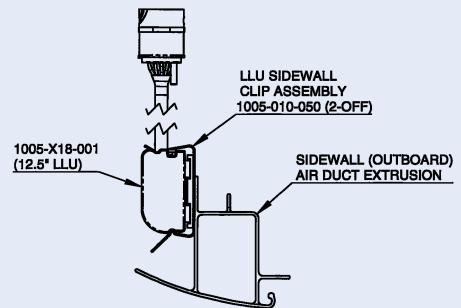


1005-010-050 (side wall)

### Ceiling installation



### Side wall installation



This document does not contain any export controlled technical data.

**For additional information:**  
 Goodrich Lighting Systems GmbH  
 a UTC Aerospace Systems company  
 Bertramstrasse 8  
 59557 Lippstadt/Germany  
 Tel.: +49 2941 7676 0  
 Fax: +49 2941 7676 8432  
 www.utcaerospacesystems.com