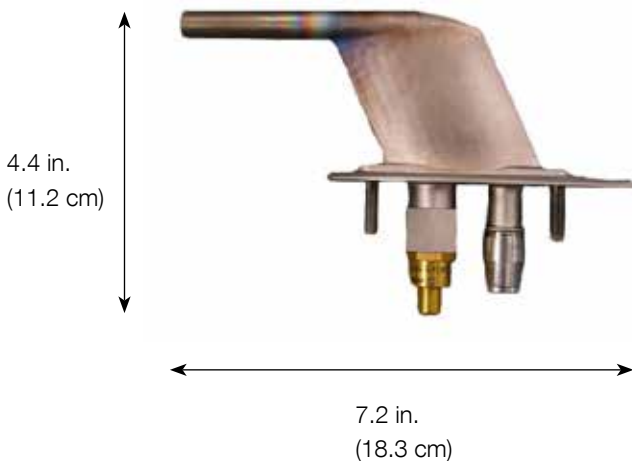




Model 0851HL Pitot Probe

Airbus A318/319/320/321/330/340

UTC Aerospace Systems is at the forefront of air data technology – researching, designing, manufacturing, qualifying and supporting custom air data solutions.



With over 60 years of air data experience and innovation, UTC Aerospace Systems continues to be at the forefront of air data technology. The robust design of our Pitot probes provides vital information for aircraft flight control by providing highly accurate pitot pressure measurement over a wide range of angles of attack and airspeeds. UTC Aerospace Systems' Pitot probes are engineered to meet the exact requirements of its specific application and have demonstrated success around the world on the majority of aircraft types in operation. Model 0851HL Pitot probe is certified on Airbus A318/319/320/321/330/340 aircraft.

Benefits & Features

- Robust design
- Enhanced de-icing performance
- Qualified to FAA TSO-C16 and AS 393
- High reliability
- 115 VAC power

Model 0851HL Pitot Probe

Airbus A318/319/320/321/330/340

State-of-the-art Testing Capabilities

UTC Aerospace Systems has one of the most capable icing wind tunnels in the world. Aerodynamic and icing testing is essential to analyze the effectiveness of air data products. The new icing wind tunnel allows UTC Aerospace Systems to meet the new, stringent icing requirements for air data probes set forth by the world's aviation regulatory agencies. It offers significantly increased capabilities, such as colder temperatures and higher altitudes, and is capable of producing both solid ice particles and supercooled liquid water droplets in high concentrations. Extensive wind tunnel testing allows us to optimize the design for performance throughout the flight envelope and environmental conditions experienced in flight.



Customized Design

UTC Aerospace Systems develops custom solutions to ensure proper performance in the local airflow conditions created by the unique shape of each aircraft model and the flight envelope it is designed to meet. UTC Aerospace Systems' aerodynamic experts also assist with determining the optimal probe location on the aircraft.

For additional information:
14300 Judicial Road, Burnsville, MN 55306 U.S.A.
Tel: +1 952 892 4000
sis@utas.utc.com

This document does not contain any
export controlled technical data.

utcaerospacesystems.com

4004B LIT 12/2016 © Rosemount Aerospace Inc., 2016