

LED Handrail Lights

F10026ZZ-XX

Classy lighting effect for enhanced comfort



UTC Aerospace Systems' LED handrail lights add a classy lighting effect to the new A320 passenger cabin.

These light strips are designed to be installed in the handrail below the overhead hand luggage compartments. They are the ideal solution to provide additional, discreet illumination.

Airlines can choose from a wide range of colors to underline their corporate identity.



Unique indirect lighting for the passenger cabin

LED handrail lights significantly increase the comfort of passengers. In darkened cabins, they not only ensure the seat row numbers are visible, but they also provide discreet lighting during night flight.

Latest LED technology and robust material

Thanks to state-of-the-art LED technology UTC Aerospace Systems' handrail lights are extremely reliable and supply homogeneous light output along the full length of the cabin. Dimming can be accomplished by using a pulse-width modulation device.

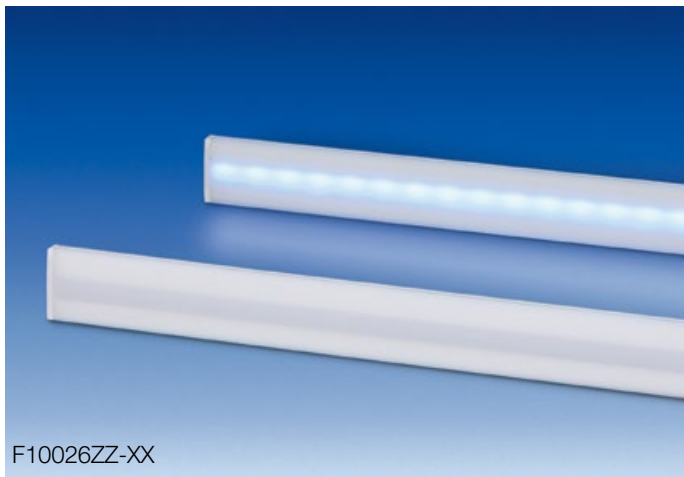
Each LED handrail light consists of a plastic housing with a printed circuit board and a polycarbonate lens. The modules are mounted by snapping into the respective slot in the handrail. Both elements combine to form a smooth surface.

15 colors to match airlines' corporate identities

Airlines can profit from the additional design options that UTC Aerospace Systems' LED handrail lights offer. The modules are available in 15 different colors and 22 lengths.

Depending on their corporate identity, aircraft operators may add an individual design element to the passenger cabin by choosing those LED handrail lights that match their company's color.

LED Handrail Lights | F10026ZZ-XX

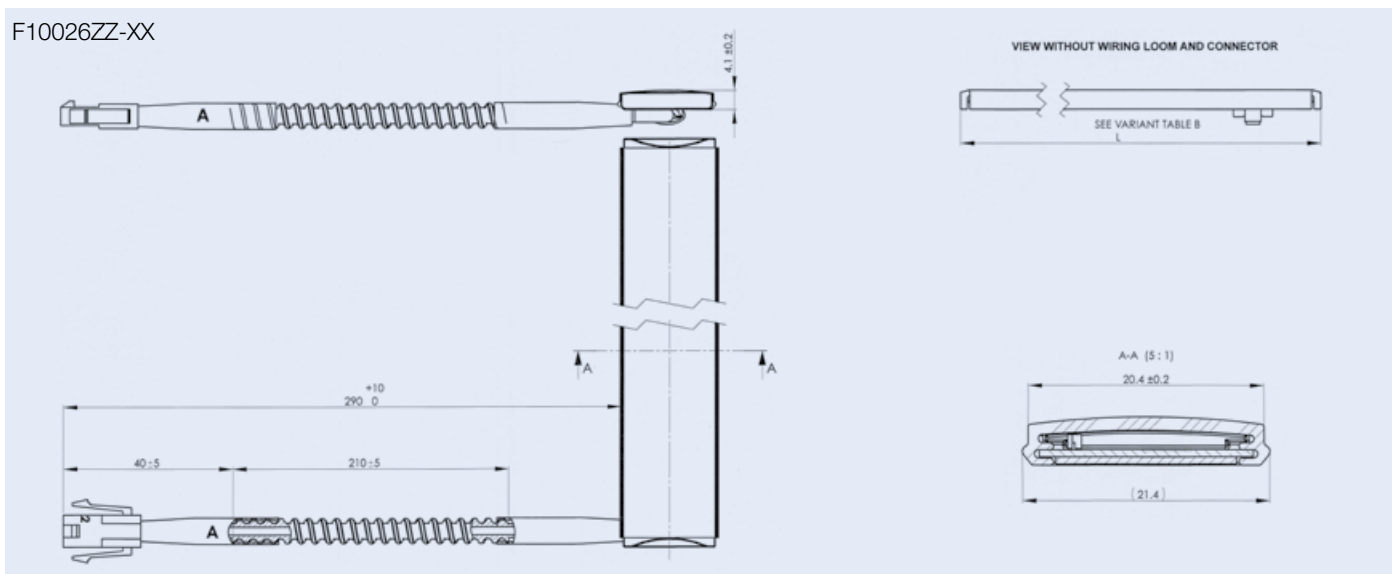


F10026ZZ-XX

Technical Data:

- Operating Voltage: 28 VDC
- Power Consumption: 3 W per meter/ per 39.4"
- Lifetime: 30,000 hours
- Light Color: see color variant table
- Connection: Connector
Housing AMP1-1445048-2 with contacts AMP 1-794612-2
- Length: see module variant table
- Weight: see module variant table

F10026ZZ-XX



Color Variant Table

F10026ZZ-XX

Part-Number ZZ	Light Color
00	standard white
01	warm white
02	red
03	green
04	blue
05	yellow
06	orange
07	amber
08	trudy blue
09	apricot
10	belladonna rose
11	pale lavender
12	light salmon pink
13	rose purple
14	deep amber
15	cool blue

Module Variant Table

F10026ZZ-XX

Part-Number -XX	Module Length	Weight
-01	10.709"/272 mm	0.099 lbs/0.045 kg
-02	20.114"/510.9 mm	0.135 lbs/0.061 kg
-03	28.894"/733.9 mm	0.172 lbs/0.078 kg
-04	34.118"/866.6 mm	0.196 lbs/0.089 kg
-05	41.114"/1,044.3 mm	0.227 lbs/0.103 kg
-06	31.028"/788.1 mm	0.183 lbs/0.083 kg
-07	32.126"/816 mm	0.187 lbs/0.085 kg
-08	36.528"/927.8 mm	0.205 lbs/0.093 kg
-09	41.528"/1,054.8 mm	0.227 lbs/0.103 kg
-10	44.028"/1,118.3 mm	0.238 lbs/0.108 kg
-11	35.138"/892.5 mm	0.201 lbs/0.091 kg
-12	30.433"/773 mm	0.179 lbs/0.081 kg
-13	28.020"/711.7 mm	0.170 lbs/0.077 kg
-14	38.031"/966 mm	0.214 lbs/0.097 kg
-15	29.429"/747.5 mm	0.176 lbs/0.080 kg
-16	37.634"/955.9 mm	0.209 lbs/0.095 kg
-17	27.028"/686.5 mm	0.165 lbs/0.075 kg
-18	25.354"/644 mm	0.159 lbs/0.072 kg
-19	34.917"/886.9 mm	0.198 lbs/0.090 kg
-20	37.433"/950.8 mm	0.207 lbs/0.094 kg
-21	32.917"/836.1 mm	0.192 lbs/0.087 kg
-22	37.933"/963.5 mm	0.214 lbs/0.097 kg

This document does not contain any
export controlled technical data.

For additional information:
Goodrich Lighting Systems GmbH
a UTC Aerospace Systems company
Bertramstrasse 8
59557 Lippstadt/Germany
Tel.: +49 2941 7676 0
Fax: +49 2941 7676 8432
www.utcaerospacesystems.com