

# Stair Lights



**UTC Aerospace Systems**

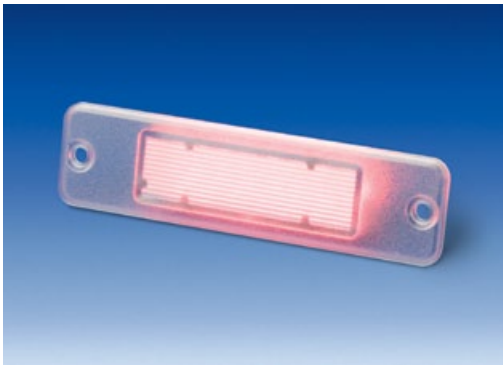
# Safety begins with boarding

Passenger safety is extremely important in the civil aviation industry. In fact, safety is a concern that begins with boarding.

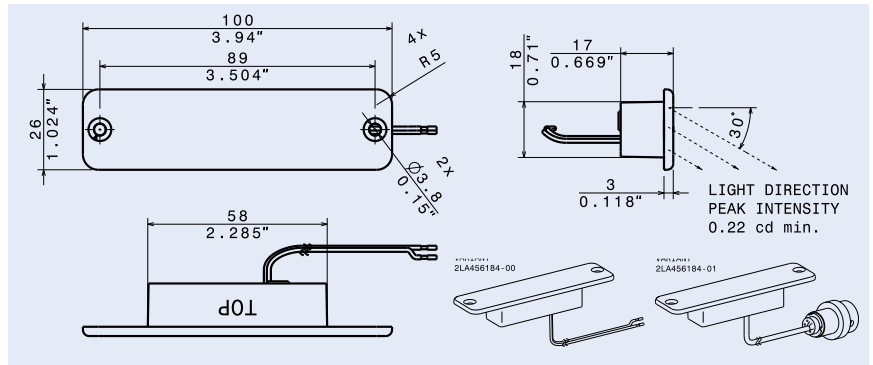
Therefore, UTC Aerospace Systems pays special attention to the illumination of retractable stairways.

Stair Lights with LED technology or incandescent lamps provide a bright light which optimally illuminates the steps.

Their space saving design allows the unobtrusive integration into the staircase.



**LED Stair Light**  
**2LA456184-00/-01**

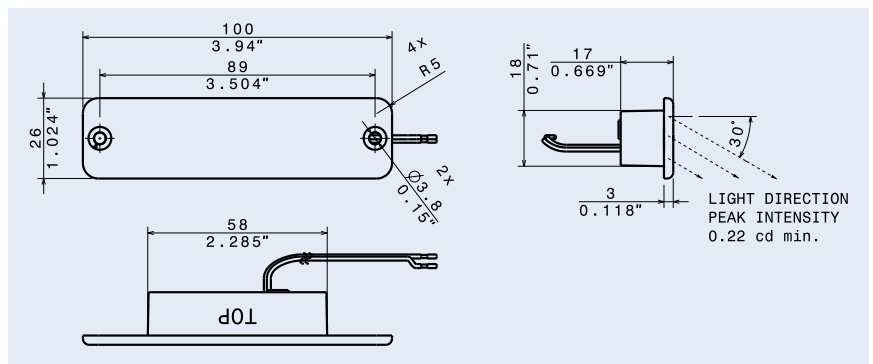


**Technical Data:**

- Operating Voltage: 28 V DC
- Operating Current: 32 mA ± 20 %
- Lifetime: 10,000 h
- Light Color: Red
- Connection: Flying Leads (-00)  
Connector MS3476L10-6P (-01)
- Weight: 0.035 kg/0.077 lbs max. (-00)  
0.055 kg/0.121 lbs max. (-01)



**LED Stair Light**  
**2LA456184-02**

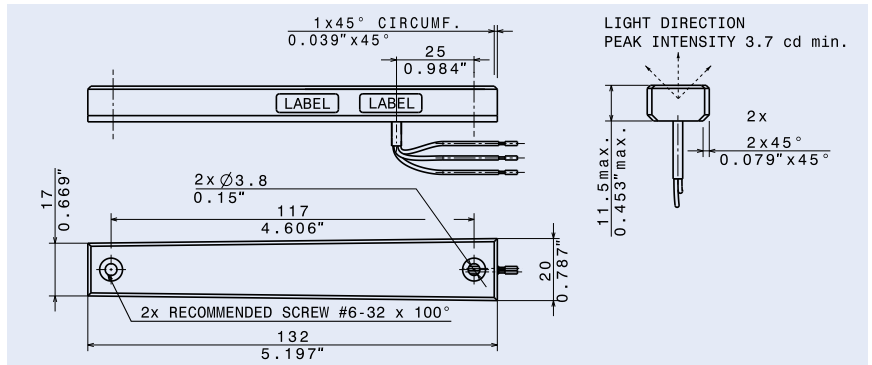


**Technical Data:**

- Operating Voltage: 28 V DC
- Operating Current: 32 mA ± 20 %
- Lifetime: 10,000 h
- Light Color: Amber
- Connection: Flying Leads
- Weight: 0.035 kg/0.077 lbs max.



**LED Handrail Light**  
**2LA456179-00**

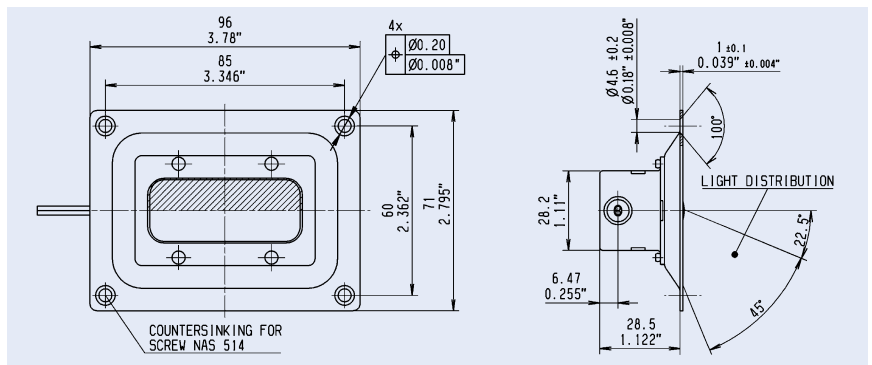


**Technical Data:**

- Operating Voltage: 6 V DC
- Operating Current: 100 mA ± 25 %
- Lifetime: 10,000 h
- Light Intensity: 3.7 cd min.
- Light Color: White
- Weight: 0.06 kg/0.13 lbs max.



**LED Stair Light**  
**2LA455119-50**

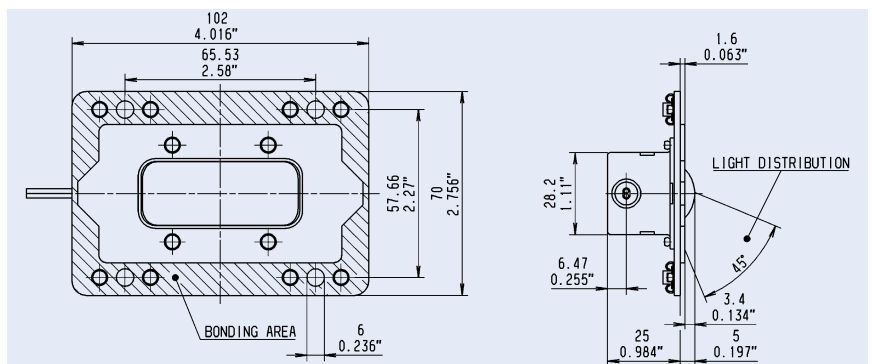


**Technical Data:**

- Operating Voltage: 28 V DC
- Operating Current: 40 mA ± 15 %
- Lifetime: 10,000 h
- Light Intensity: 13.5 cd min.
- Light Color: White
- Weight: 0.12 kg/0.265 lbs max.



**LED Stair Light**  
**2LA455119-70**

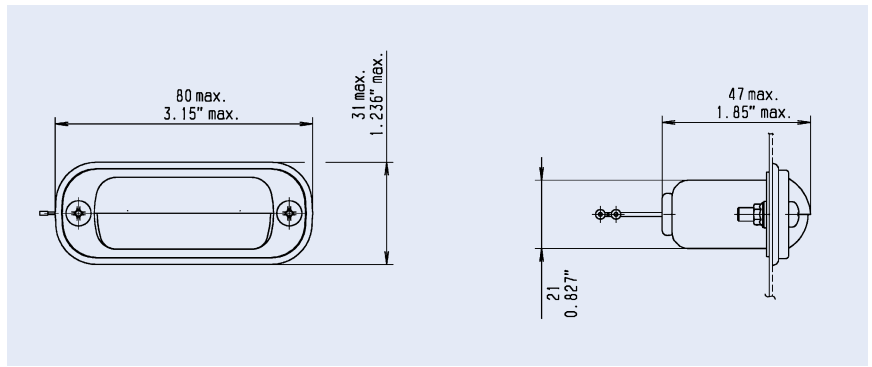


**Technical Data:**

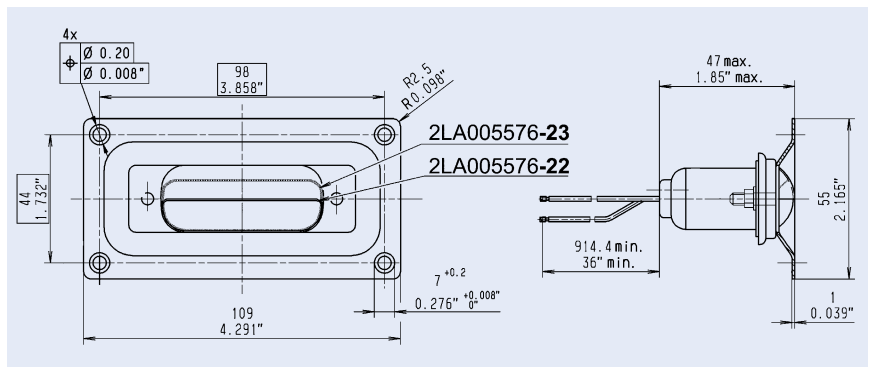
- Operating Voltage: 28 V DC
- Operating Current: 40 mA ± 15 %
- Lifetime: 10,000 h
- Light Intensity: 13.5 cd min.
- Light Color: White
- Weight: 0.12 kg/0.265 lbs max.
- with floating nuts



**Stair Light**  
**2LA005576-00**



**Stair Light**  
**2LA005576-22/-23**



**Technical Data:**

- Operating Voltage: 28 V DC
- Operating Current: 170 mA ± 25 %
- Light Source:  
Incandescent Lamp 8GA003044-28
- Beam Angle:  
2LA005576-00/-22: narrow  
2LA005576-23: wide
- Lifetime: 500 h
- Light Intensity: 4 cd min.
- Light Color: White
- Weight:  
0.065 kg/0.143 lbs max. (-00)  
0.12 kg/0.265 lbs max. (-22/-23)

**For additional information:**  
Goodrich Lighting Systems GmbH  
a UTC Aerospace Systems company  
Bertramstrasse 8  
59557 Lippstadt/Germany  
Tel.: +49 2941 7676 0  
Fax: +49 2941 7676 8432  
Sita: PADHECR  
www.utcaerospace.com