

# LED Runway Turnoff Light for Airbus A320 Family



Where ingenuity takes off™

# LED Runway Turnoff Light | 2LA456343-00 for Airbus A320 Family



The LED runway turnoff (RTO) light 2LA456343-00 is the ideal replacement option for currently incorporated lights with sealed beam units on the Airbus A320 family. UTC Aerospace Systems offers this new LED technology as an option to aircraft operators looking to reduce maintenance and operating costs over the life of the aircraft. The new LED lights have increased longevity and reliability as compared to the traditional sealed beam lights. Two LED RTO Lights are integrated into the aircraft's nose landing gear (NLG) and provide optimal light to illuminate the runway turnoff location. They are mechanically and electronically fully interchangeable with the currently installed lights with sealed beam units on the A320 series. Featuring a lifetime of approximately 20,000 operating hours, the new LED technology outperforms the reliability of the sealed beam unit by a factor of approximately 200.

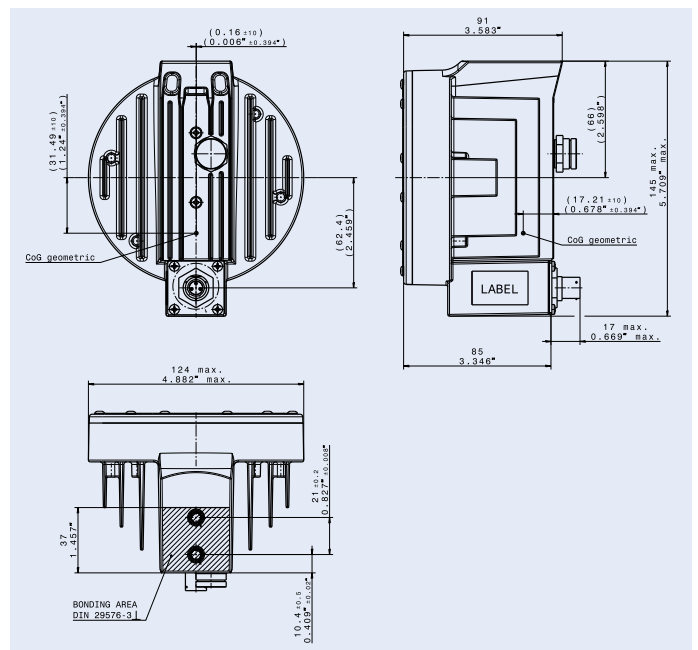
## Benefits and features:

- state-of-the-art LED technology
- standard on A320neo family aircraft, optional on currently built A320ceo family aircraft
- retrofit option for A320 family aircraft in operation: no aircraft modification required – fits into existing interface
- robust design with high vibration resistance
- better illumination performance in comparison to sealed beam unit
- low power consumption
- long lifetime
- high reliability
- EASA and FAA STC-version as part number 1X0456177-00 available on request

This document does not contain any export controlled technical data.

## For additional information:

Goodrich Lighting Systems GmbH  
a UTC Aerospace Systems company  
Bertramstrasse 8  
59557 Lippstadt/Germany  
Tel.: +49 2941 7676 0  
Fax: +49 2941 7676 8432  
www.utcaerospace.com



## Technical Data:

- Operating Voltage: 115 V<sub>rms</sub>
- Operating Current: 350 mA<sub>rms</sub> ± 100 mA<sub>rms</sub>
- Peak Inrush Current: 3.1 A max (t < 100 ms)
- Nominal Frequency: 400 Hz
- Power Factor: > 0.9
- Peak Intensity: 30,000 cd min.  
in compliance with SAE-ARP 693C
- Light Distribution: ± 17° horizontally, ± 5° vertically  
at 10 % of peak in compliance with SAE-ARP 693C
- Light Color: Aviation White 5,500 K+ correlated color temperature (CCT) in compliance with FAR § 25.1397
- Lifetime: approx. 20,000 operating hours
- Optical System: integrated LEDs, non replaceable
- Lens Material: high impact resistant glass
- Weight: 0.860 kg/1.895 lbs max.