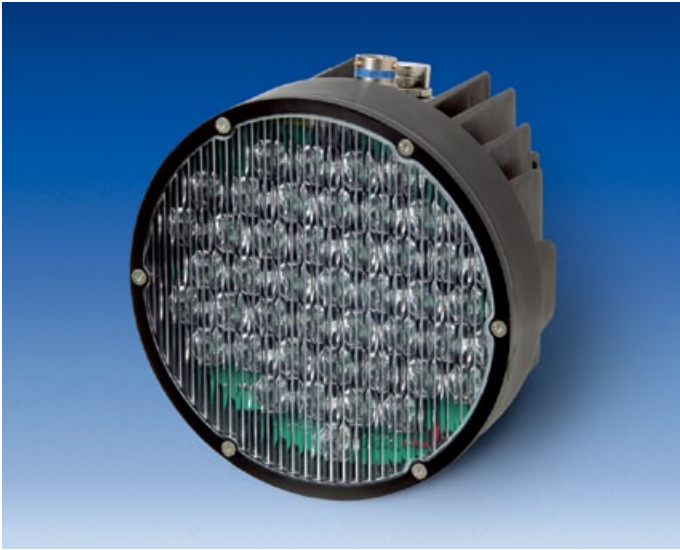


LED Taxi Light

for Airbus A320 Family



LED Taxi Light | 2LA456292-01 for Airbus A320 Family



The LED taxi light 2LA456292-01 is the ideal replacement option for current sealed beam units on the Airbus A320 series. UTC Aerospace Systems offers this new LED technology as an option to aircraft operators looking to reduce maintenance and operating costs over the life of the aircraft. The new LED lights have increased longevity and reliability as compared to the traditional sealed beam lights. The LED taxi light is integrated into the aircraft's nose landing gear (NLG) and provides optimal light to illuminate taxi ways, runway turnoff locations and ground obstructions that may cause hazard to the aircraft. It is mechanically and electronically fully interchangeable with the currently installed sealed beam units on the A320 series. Featuring a lifetime of approximately 20,000 operating hours, the new LED technology outperforms the reliability of the sealed beam unit by a factor of approximately 200.

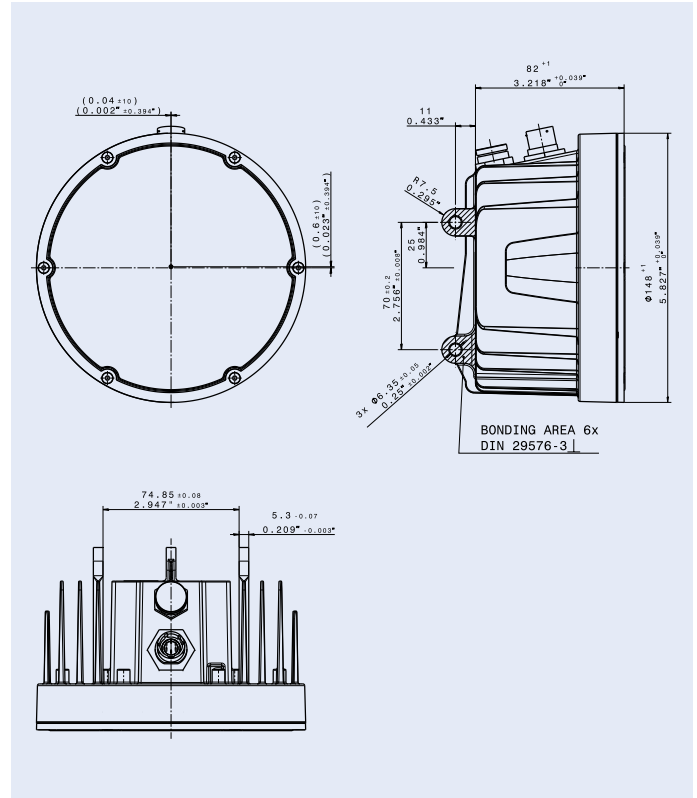
Benefits and features:

- state-of-the-art LED technology
- standard on A320neo family aircraft, optional on currently built A320ceo family aircraft
- retrofit option for A320 family aircraft in operation: no aircraft modification required – fits into existing interface
- robust design with high vibration resistance
- better illumination performance in comparison to sealed beam unit
- low power consumption
- long lifetime
- high reliability

This document does not contain any export controlled technical data.

For additional information:

Goodrich Lighting Systems GmbH
 a UTC Aerospace Systems company
 Bertramstrasse 8
 59557 Lippstadt/Germany
 Tel.: +49 2941 7676 0
 Fax: +49 2941 7676 8432
 www.utcaerospacesystems.com



Technical Data:

- Operating Voltage: 115 V_{rms}
- Operating Current: 600 mA_{rms} ± 150 mA_{rms}
- Peak Inrush Current: 5.0 A max (t < 100 ms)
- Nominal Frequency: 400 Hz
- Power Factor: > 0.9
- Peak Intensity: 30,000 cd min.
- Light Distribution: ± 40° horizontally, ± 5.5° vertically at 10 % of peak
- Light Color: Aviation White 5,500 K+ correlated color temperature (CCT) in compliance with FAR § 25.1397
- Lifetime: approx. 20,000 operating hours
- Optical System: integrated LEDs, non replaceable
- Lens Material: high impact resistant glass
- Weight: 1.2 kg/2.646 lbs max.